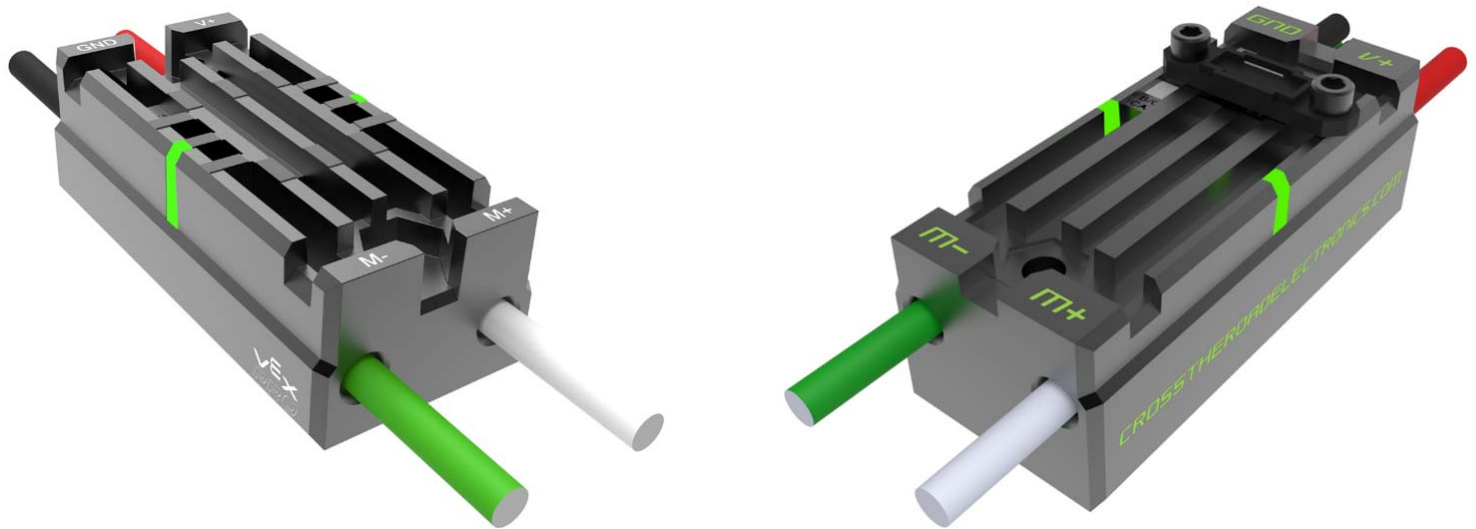


# Victor SP & Talon SRX Info Sheet

*Victor SP: 217-9090; Talon SRX: 217-8080*



## Presented by VEX Robotics and Cross the Road Electronics

The Victor SP and Talon SRX were co-developed through a collaborative partnership between VEX Robotics and Cross the Road Electronics.

## Features

- Aluminum case, passive cooling fins, and sophisticated internals make fans optional
- Completely sealed enclosure prevents debris from getting anywhere it shouldn't be
- Electrically insulated internals allow for direct frame mounting without shorting
- LED indicators blink proportionately to output speed for easy debugging
- Illuminated "Brake/Coast Calibration" button enables one-touch changes and calibration
- Embedded power & output cables will never shake loose during a match
- Built-in pockets for #8 nuts and cable tie grooves make direct mounting simple
- Sign-magnitude synchronous rectification reduces heat generation at full motor stall
- 15 KHz output switching frequency ensures smooth and precise motor control

## Talon SRX Smart Motor Controller Technology

- Supports CAN, SPI, Digital I/O, and USART (serial) protocols
- Onboard closed-loop PID algorithms for advanced motor control



## Motor Speed Controller Technical Comparison

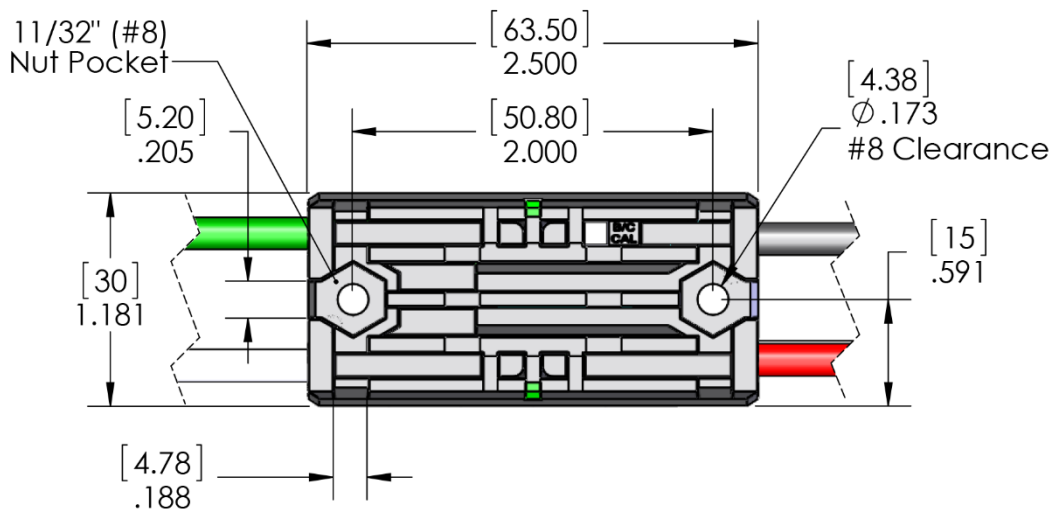
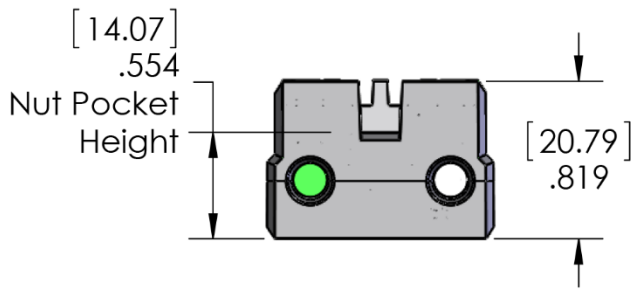
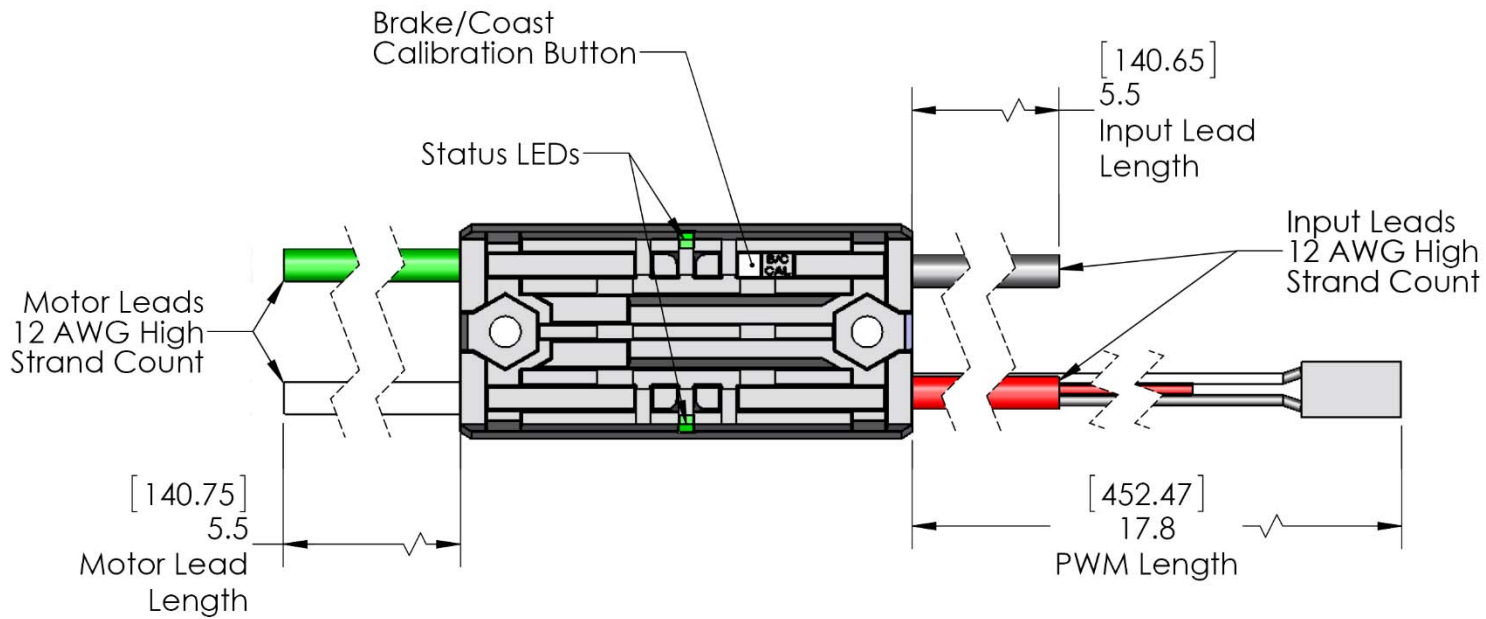


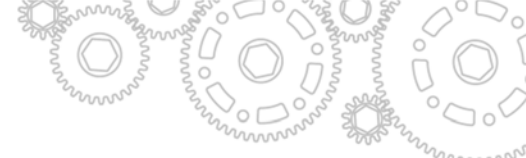
	Jaguar	Victor 888	Talon SR	Victor SP	Talon SRX
Dimensions	2.85" x 4.25" x 2.00"	2.70" x 2.21" x 2.10"	2.73" x 1.90" x 1.15"	2.5" x 1.125" x 0.875"	2.75" x 1.185" x 0.96"
Weight	0.34 lb	0.22 lb	0.20 lb	0.20 lb	TBD
Communication Protocols	PWM, CAN, RS232 (serial)	PWM	PWM	PWM	PWM, CAN, SPI, USART (serial)
Direct Sensor Input	Yes	No	No	No	Yes
Nominal Voltage	12V	12V	12V	12V	12V
Min/Max Voltage	5.5 - 30V	6 - 15V	6 - 28V	6 - 16V	6 - 28V
Continuous Current	40A	60A	60A	60A	60A
Surge Current (2 sec)	60A	150A	100A	100A	100A
PWM Input Pulse (high time)	1 - 2 ms nominal, 0.67 - 2.33 ms max	1 - 2 ms nominal, 0.87-2.14 ms max	1 - 2 ms nominal	1 - 2 ms nominal, 0.6 - 2.4 ms max	1 - 2 ms nominal
PWM Input Rate (period)	5.0125 - 29.985 ms	2.1 - 500 ms	3 - 100 ms	2.9 - 100 ms	2.9 - 100 ms
PWM Output Chop Rate (Switching Frequency)	15.625 kHz	1 kHz	15 kHz	15 kHz	15 kHz
Minimum Throttle (Deadband)	5.5%	5.4%	4%	4%	4%



# Victor SP Interface Dimensions

217-9090





# Talon SRX Interface Dimensions

217-8080

