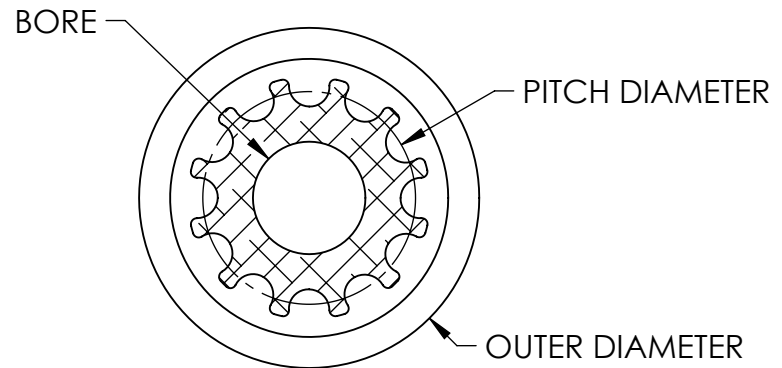
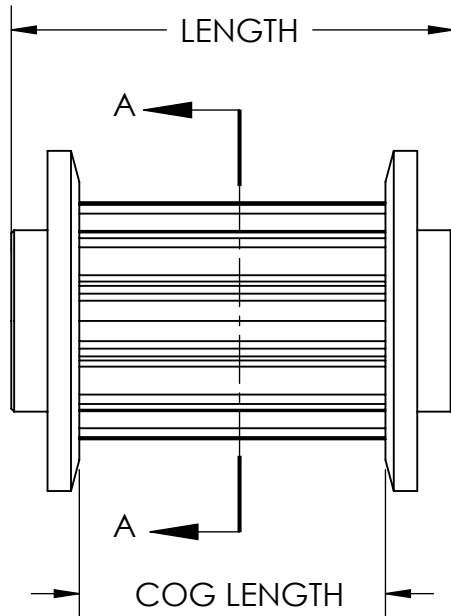
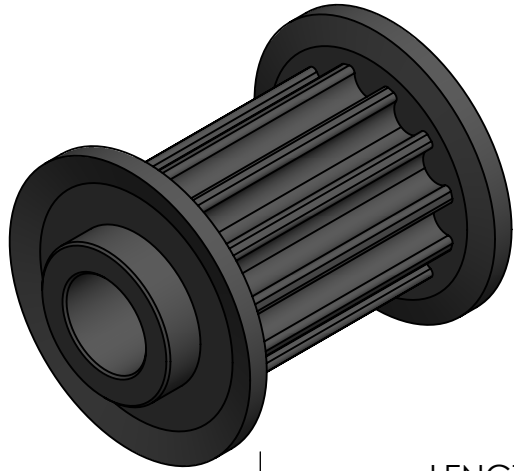


# GT2 TIMING PULLEYS (NON-CIM MOTOR)



PART #	NUMBER OF TEETH	OUTER DIAMETER	PITCH DIAMETER	COG LENGTH	LENGTH	BORE	MATERIAL
217-5870	12	0.591"	0.451"	0.531"	0.689"	550 PRESS FIT	BLACK ANODIZE ALUMINUM
217-5871	12	0.591"	0.451"	0.531"	0.689"	775 PRESS FIT	BLACK ANODIZE ALUMINUM
217-5872	12	0.591"	0.451"	0.531"	0.689"	BAG MOTOR PRESS FIT	BLACK ANODIZE ALUMINUM
217-6924	16	0.690"	.601"	.602"	0.587"	FALCON	BLACK ANODIZED ALUMINUM



Description		GT2 TIMING PULLEYS	
Dwg No		VEXpro-Pulleys-GT2-Non-CIM-Motors 20191111	
Project	VEXpro	Sheet 1 of 1	
Release	11/11/2019	<b>ALL DIMENSIONS ARE IN INCHES [MM].</b>	

NOTE:  
(1) PULLEYS ARE BLACK ANODIZED

**PROSUPPORT@VEX.COM**  
**WWW.VEXPRO.COM**