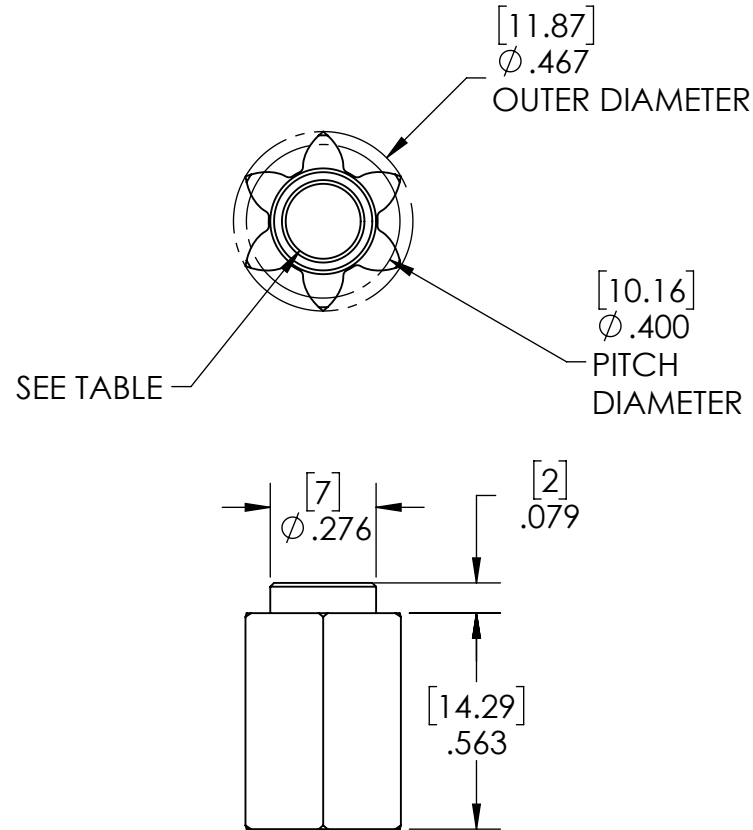


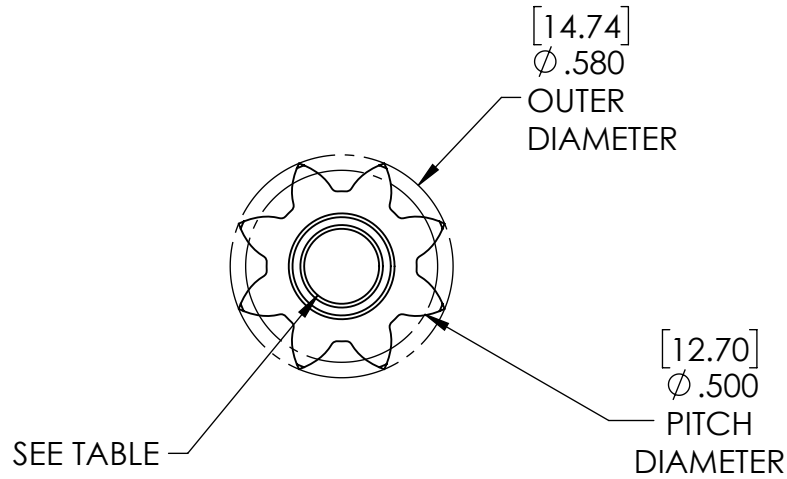
P/N	TOOTH COUNT	FOR MOTOR	MATERIAL	COATING	ID
217-6285	6	RS775	4140 STEEL	BLACK NITRIDE	[4.96] .195
217-6333	6	RS550	4140 STEEL	BLACK NITRIDE	[3.14] .124
217-6339	6	BAG MOTOR	4140 STEEL	BLACK NITRIDE	[3.98] .157



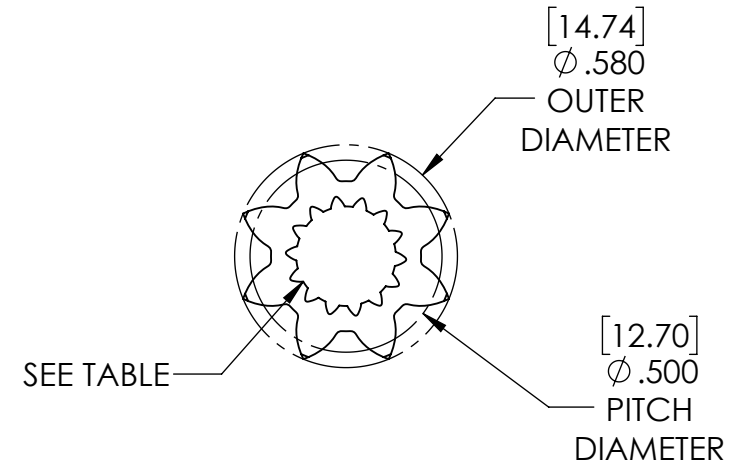
Description		MOTOR PINIONS
Dwg No		VEXpro-Gears-Pinions
Project	VEXpro	Sheet 1 of 8
Release	10/24/2019	ALL DIMENSIONS ARE IN INCHES [MM].

PROSUPPORT@VEX.COM
WWW.VEXPRO.COM

P/N	TOOTH COUNT	FOR MOTOR	MATERIAL	COATING	ID
217-6362	8	RS775	4140 STEEL	BLACK NITRIDE	[4.96] .195
217-6367	8	RS550	4140 STEEL	BLACK NITRIDE	[3.14] .124
217-6368	8	BAG MOTOR	4140 STEEL	BLACK NITRIDE	[3.98] .157



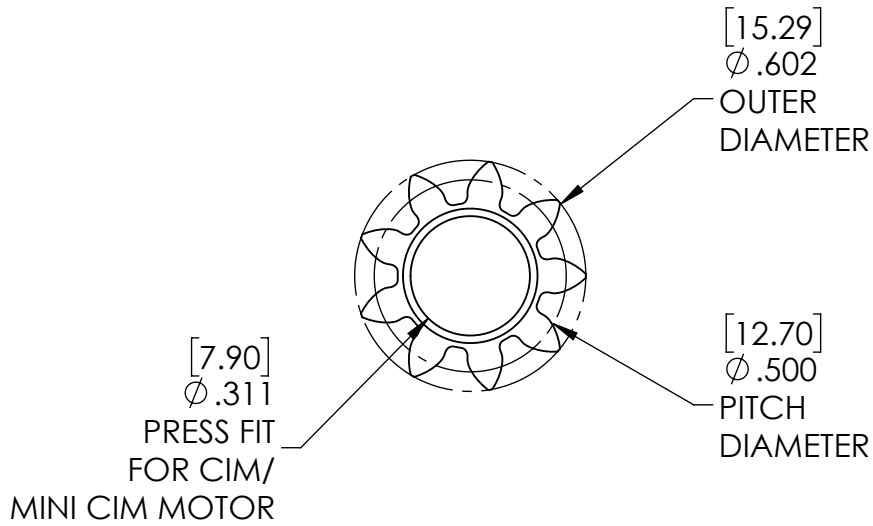
P/N	TOOTH COUNT	FOR MOTOR	MATERIAL	COATING	ID
217-6915	8	FALCON	4140 STEEL	BLACK NITRIDE	FALCON SPLINE



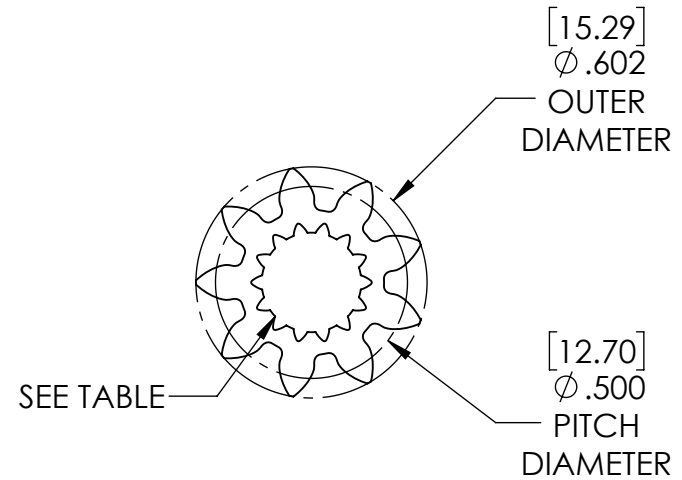
Description		MOTOR PINIONS	
Dwg No		VEXpro-Gears-Pinions Rev2	
Project	VEXpro	Sheet 2 of 8	
Release	10/24/2019	ALL DIMENSIONS ARE IN INCHES [MM].	

PROSUPPORT@VEX.COM
WWW.VEXPRO.COM

P/N	TOOTH COUNT	FOR MOTOR	MATERIAL	COATING
217-6335	9	CIM/MINI CIM MOTOR	4140 STEEL	BLACK NITRIDE



P/N	TOOTH COUNT	FOR MOTOR	MATERIAL	COATING	ID
217-6916	9	FALCON	4140 STEEL	BLACK NITRIDE	FALCON SPLINE

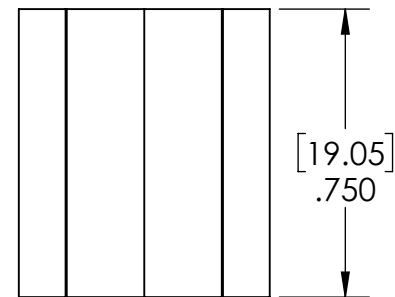
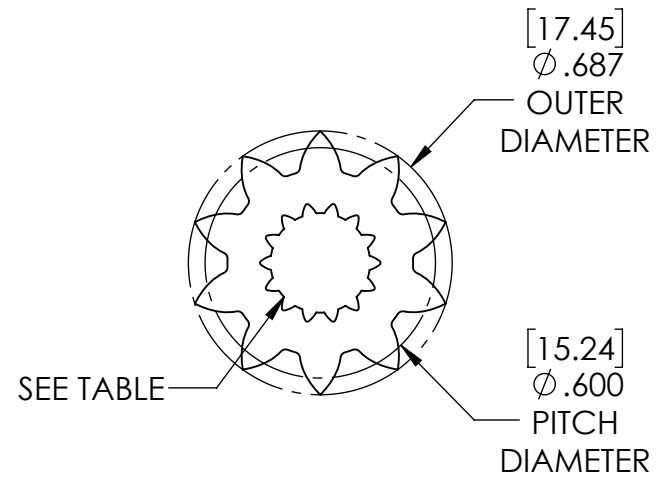
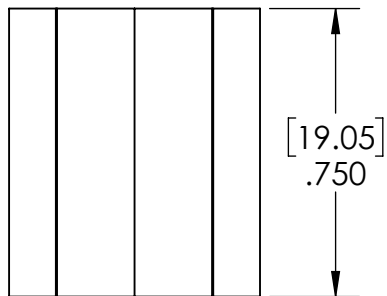
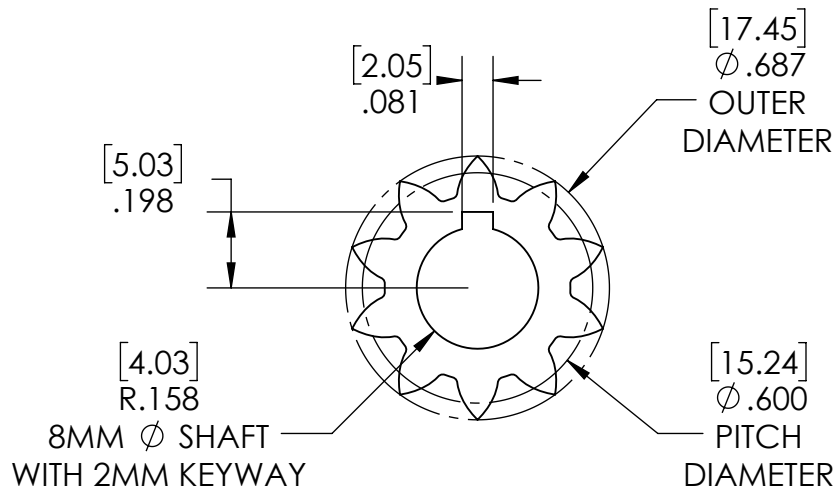


Description		MOTOR PINIONS	
Dwg No		VEXpro-Gears-Pinions	
Project	VEXpro	Sheet 3 of 8	
Release	10/24/2019	ALL DIMENSIONS ARE IN INCHES [MM].	

PROSUPPORT@VEX.COM
WWW.VEXPRO.COM

P/N	TOOTH COUNT	FOR MOTOR	MATERIAL	COATING
217-6334	10	CIM/MINI CIM MOTOR	4140 STEEL	BLACK NITRIDE

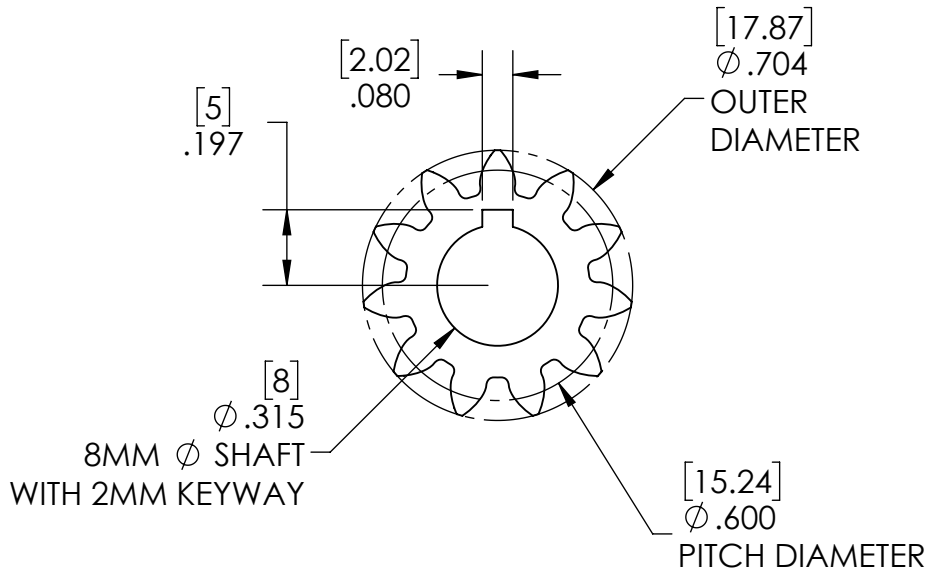
P/N	TOOTH COUNT	FOR MOTOR	MATERIAL	COATING	ID
217-6917	10	FALCON	4140 STEEL	BLACK NITRIDE	FALCON SPLINE



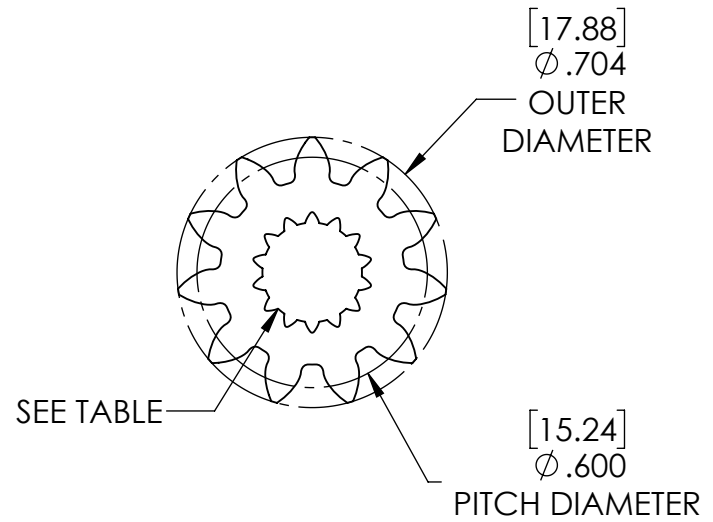
Description	MOTOR PINION	
Dwg No	VEXpro-Gears-Pinions Rev2	
Project	VEXpro	Sheet 4 of 8
Release	10/24/2019	ALL DIMENSIONS ARE IN INCHES [MM].

PROSUPPORT@VEX.COM
WWW.VEXPRO.COM

P/N	TOOTH COUNT	FOR MOTOR	MATERIAL	COATING
217-3107	11	CIM/MINI CIM MOTOR	4140 STEEL	BLACK NITRIDE



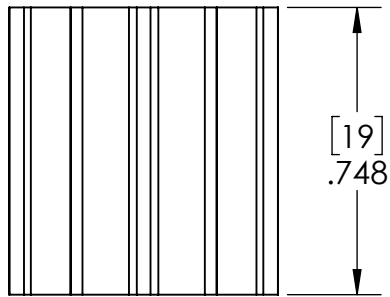
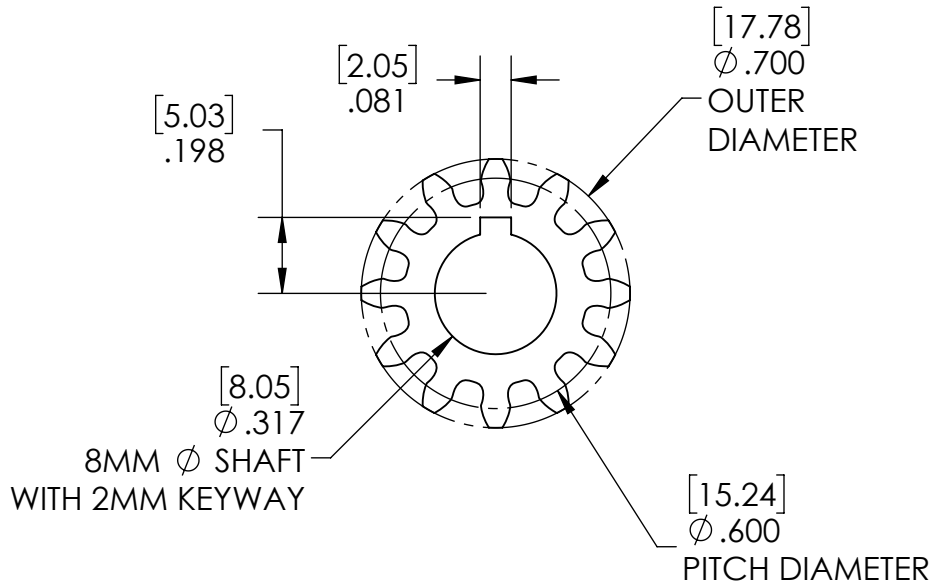
P/N	TOOTH COUNT	FOR MOTOR	MATERIAL	COATING	ID
217-6918	11	FALCON	4140 STEEL	BLACK NITRIDE	FALCON SPLINE



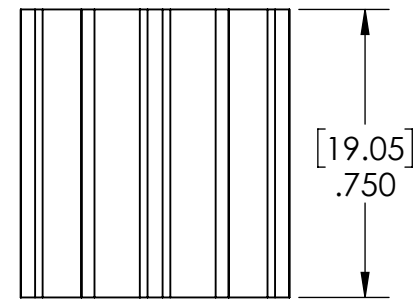
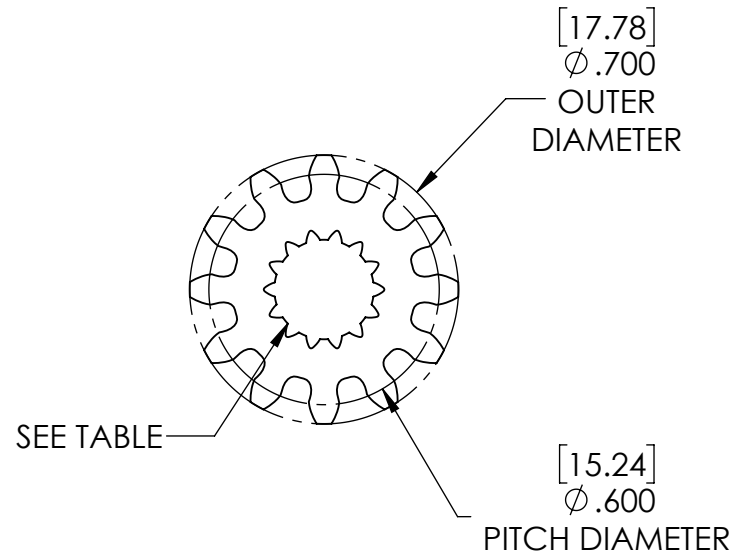
Description		MOTOR PINIONS	
Dwg No		VEXpro-Gears-Pinions	
Project	VEXpro	Sheet 5 of 8	
Release	10/24/2019	ALL DIMENSIONS ARE IN INCHES [MM].	

PROSUPPORT@VEX.COM
WWW.VEXPRO.COM

P/N	TOOTH COUNT	FOR MOTOR	MATERIAL	COATING
217-2614	12	CIM/MINI CIM MOTOR	7075 T-6 ALUMINUM	TEFLON INFUSED CERAMIC COATING
217-3309	12	CIM/MINI CIM MOTOR	4140 STEEL	BLACK NITRIDE



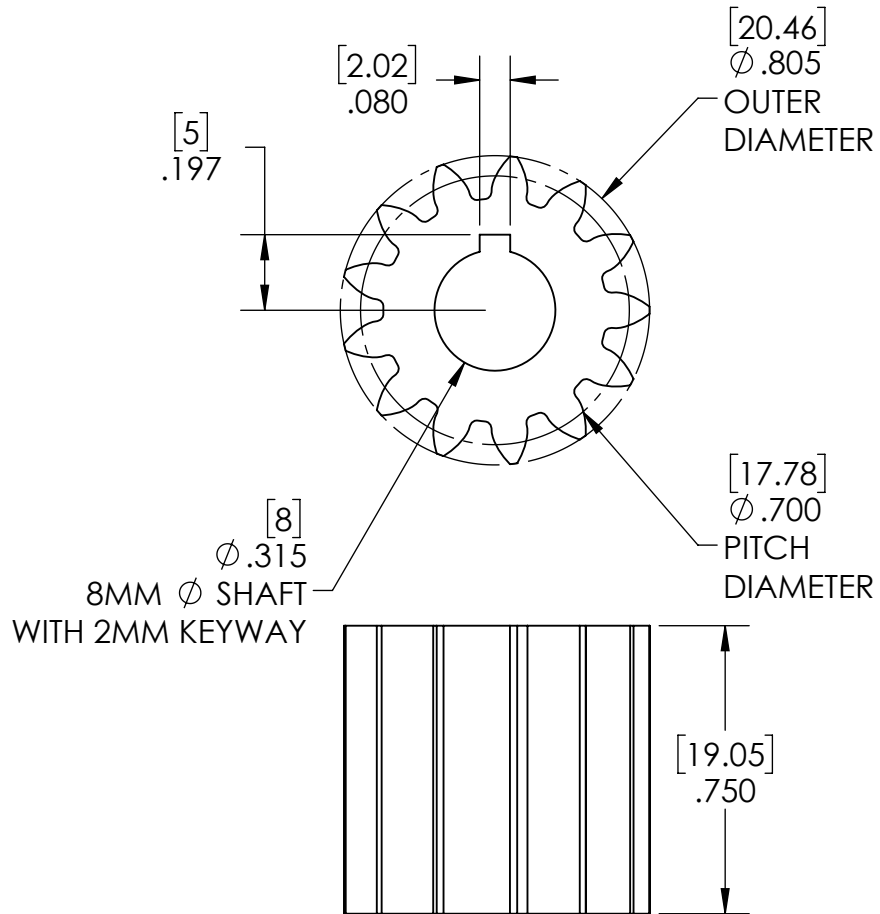
P/N	TOOTH COUNT	FOR MOTOR	MATERIAL	COATING	ID
217-6919	12	FALCON	4140 STEEL	BLACK NITRIDE	FALCON SPLINE



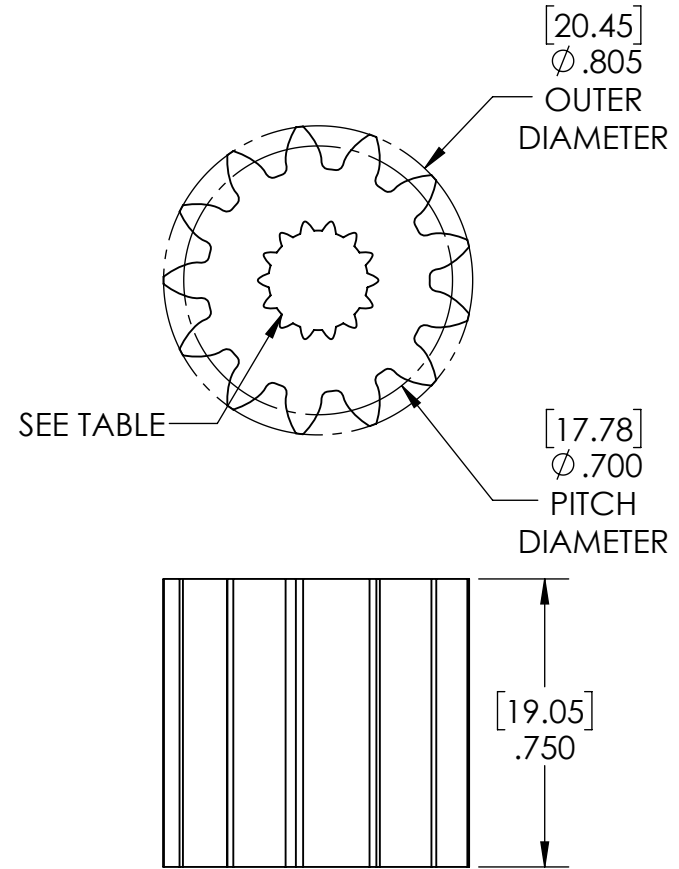
Description		MOTOR PINIONS	
Dwg No		VEXpro-Gears-Pinions Rev2	
Project	VEXpro	Sheet 6 of 8	
Release	10/24/2019	ALL DIMENSIONS ARE IN INCHES [MM].	

PROSUPPORT@VEX.COM
WWW.VEXPRO.COM

P/N	TOOTH COUNT	FOR MOTOR	MATERIAL	COATING
217-3416	13	CIM/MINI CIM MOTOR	4140 STEEL	BLACK NITRIDE



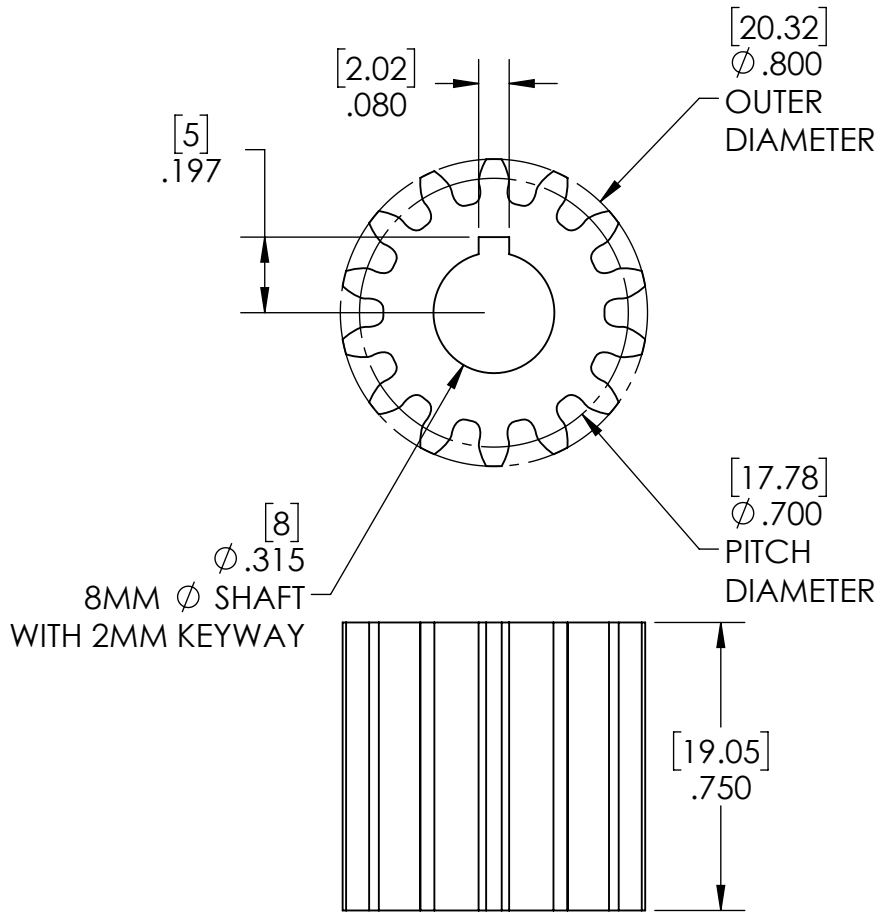
P/N	TOOTH COUNT	FOR MOTOR	MATERIAL	COATING	ID
217-6921	13	FALCON	4140 STEEL	BLACK NITRIDE	FALCON SPLINE



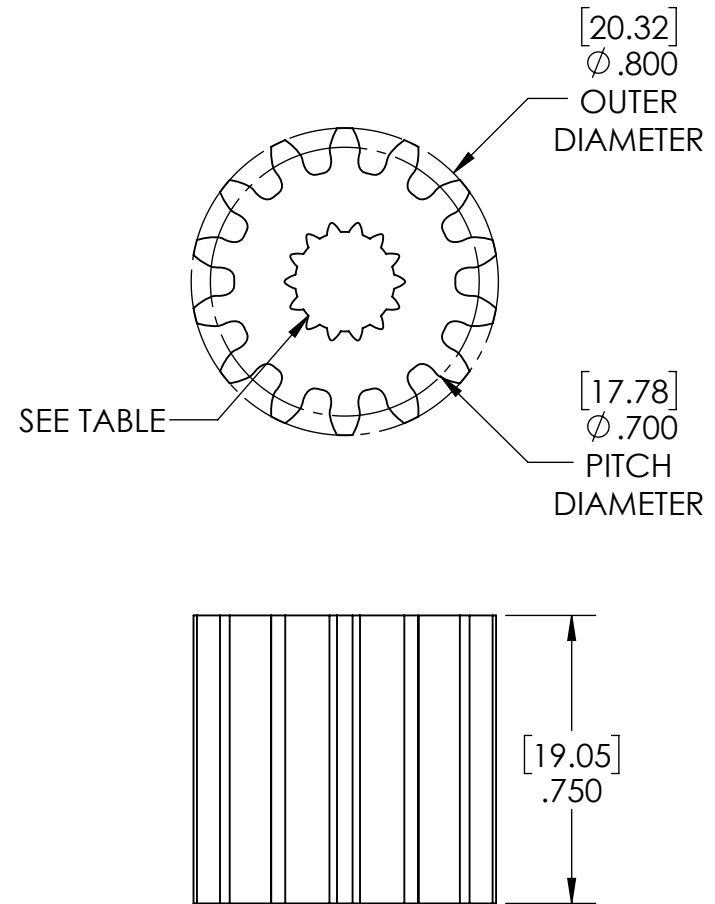
Description		MOTOR PINIONS	
Dwg No		VEXpro-Gears-Pinions	
Project	VEXpro	Sheet 7 of 8	
Release	10/24/2019	ALL DIMENSIONS ARE IN INCHES [MM].	

PROSUPPORT@VEX.COM
WWW.VEXPRO.COM

P/N	TOOTH COUNT	FOR MOTOR	MATERIAL	COATING
217-3414	14	CIM/MINI CIM MOTOR	4140 STEEL	BLACK NITRIDE



P/N	TOOTH COUNT	FOR MOTOR	MATERIAL	COATING	ID
217-6922	14	FALCON	4140 STEEL	BLACK NITRIDE	FALCON SPLINE



Description		MOTOR PINIONS	
Dwg No		VEXpro-Gears-Pinions Rev2	
Project	VEXpro	Sheet 8 of 8	
Release	10/24/2019	ALL DIMENSIONS ARE IN INCHES [MM].	

PROSUPPORT@VEX.COM
WWW.VEXPRO.COM